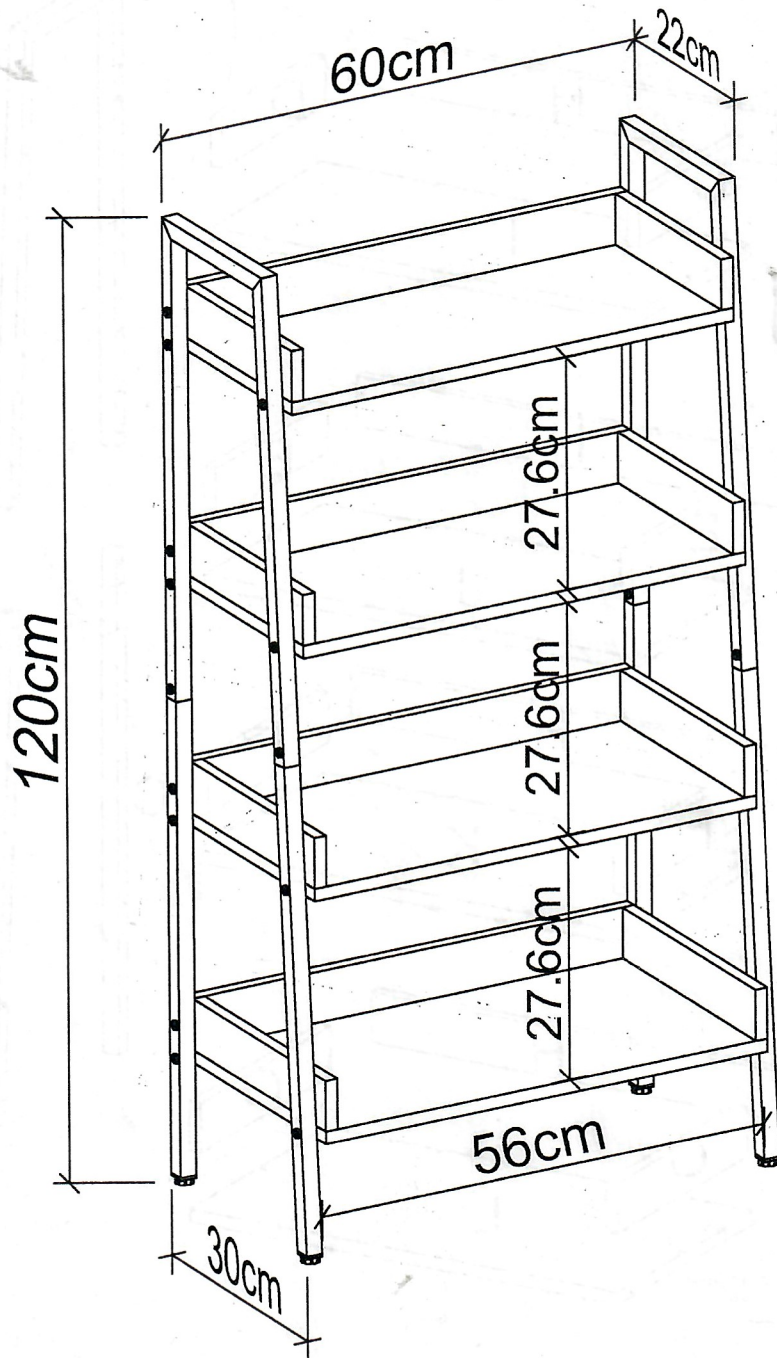
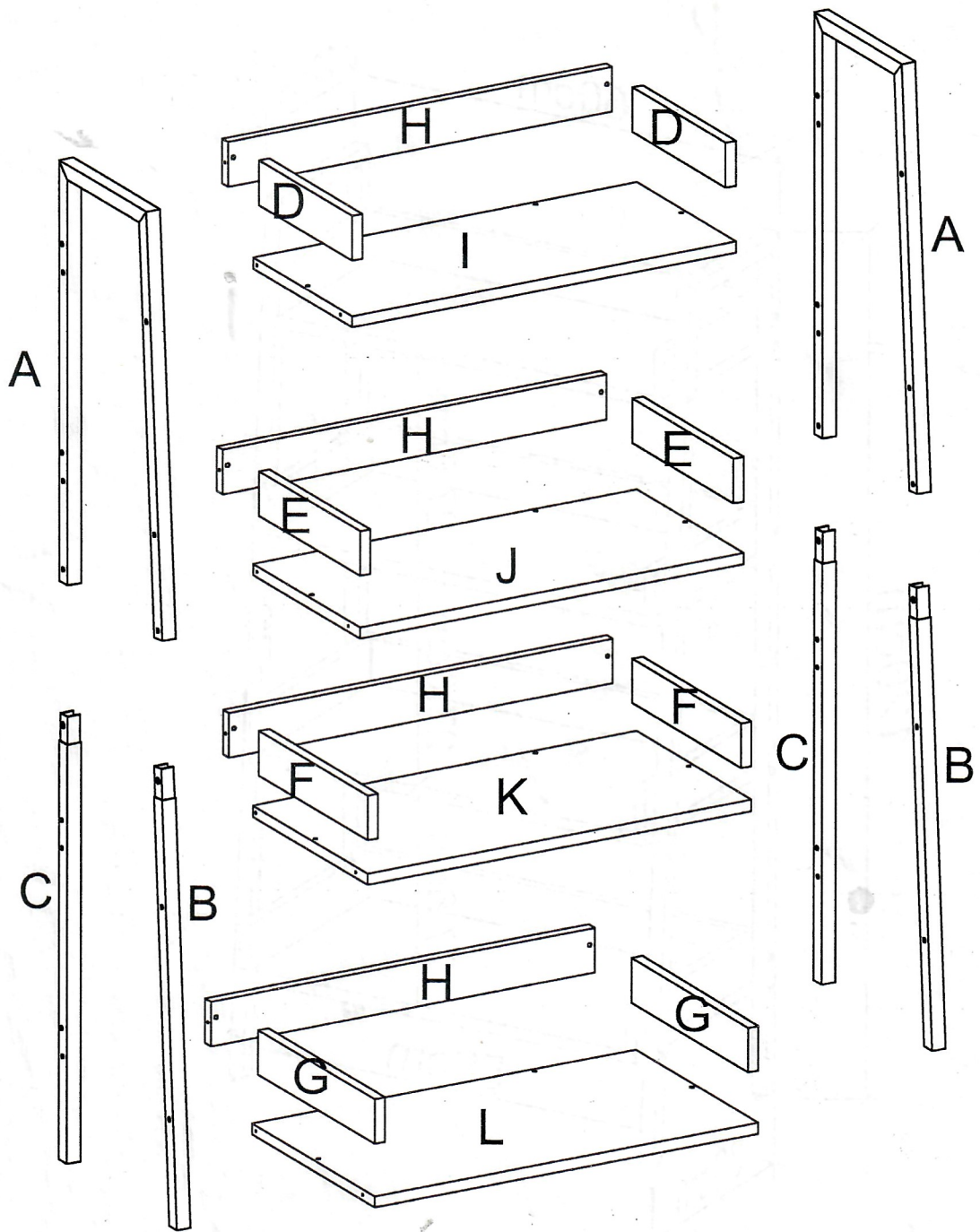


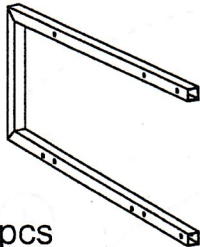
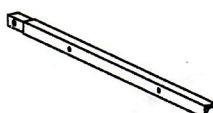
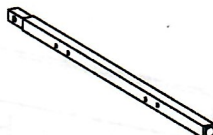
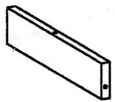
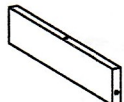
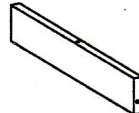
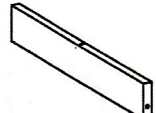

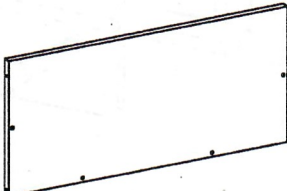
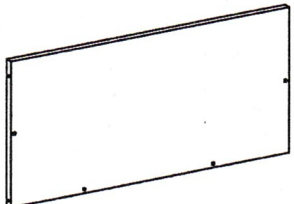
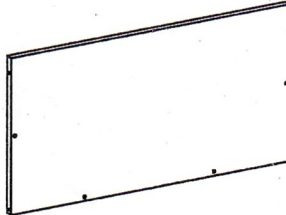
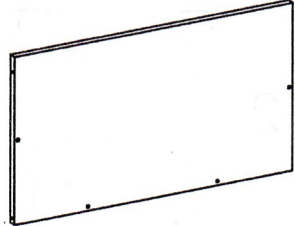
Assembly Instructions



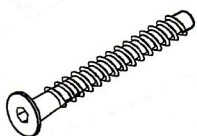
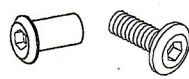




Assembly Instructions



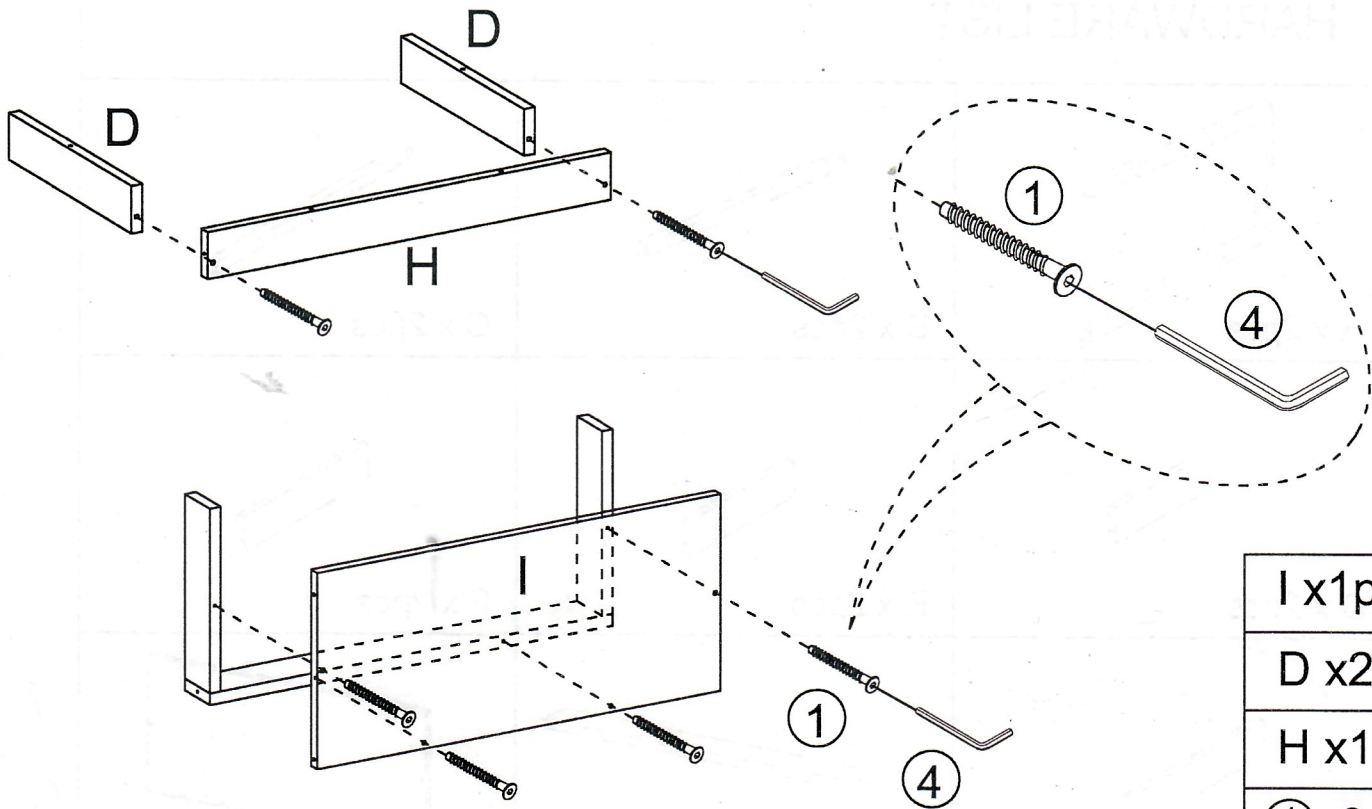
HARDWARE LIST

 <p>A x 2pcs</p>	 <p>B x 2pcs</p>	 <p>C x 2pcs</p>
 <p>D x 2pcs</p>	 <p>E x 2pcs</p>	 <p>F x 2pcs</p>
 <p>G x 2pcs</p>	 <p>H x 4pcs</p>	 <p>I x 1pc</p>
 <p>J x 1pc</p>	 <p>K x 1pc</p>	 <p>L x 1pc</p>

PART LIST

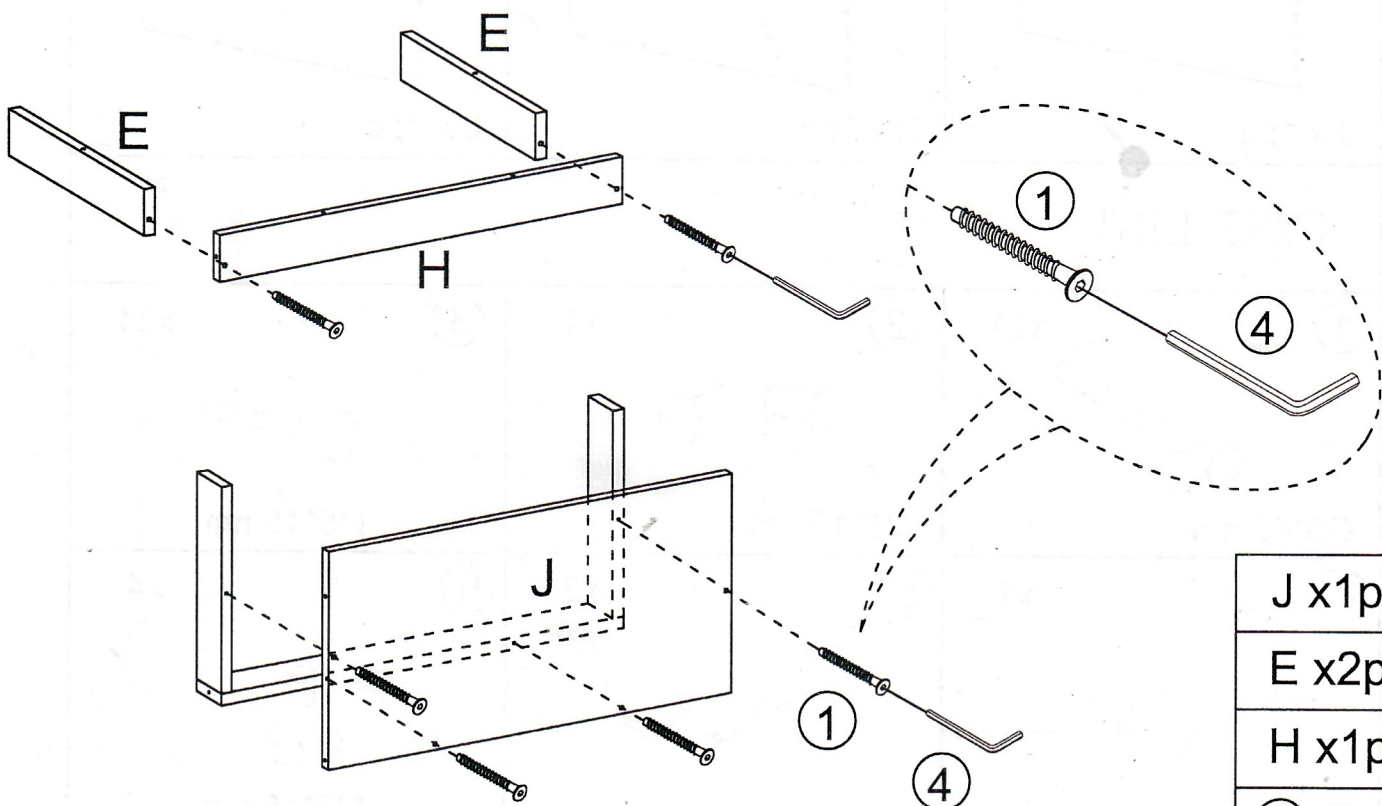
<p>① x24</p>  <p>Ø5*40mm</p>	<p>② x4</p>  <p>M6*15mm</p>	<p>③ x24</p>  <p>Ø5*45mm</p>
<p>④ x1</p>  <p>M3</p>	<p>⑤ x2</p>  <p>M4</p>	<p>⑥ x4</p>  <p>M6*15mm</p>

STEP 1



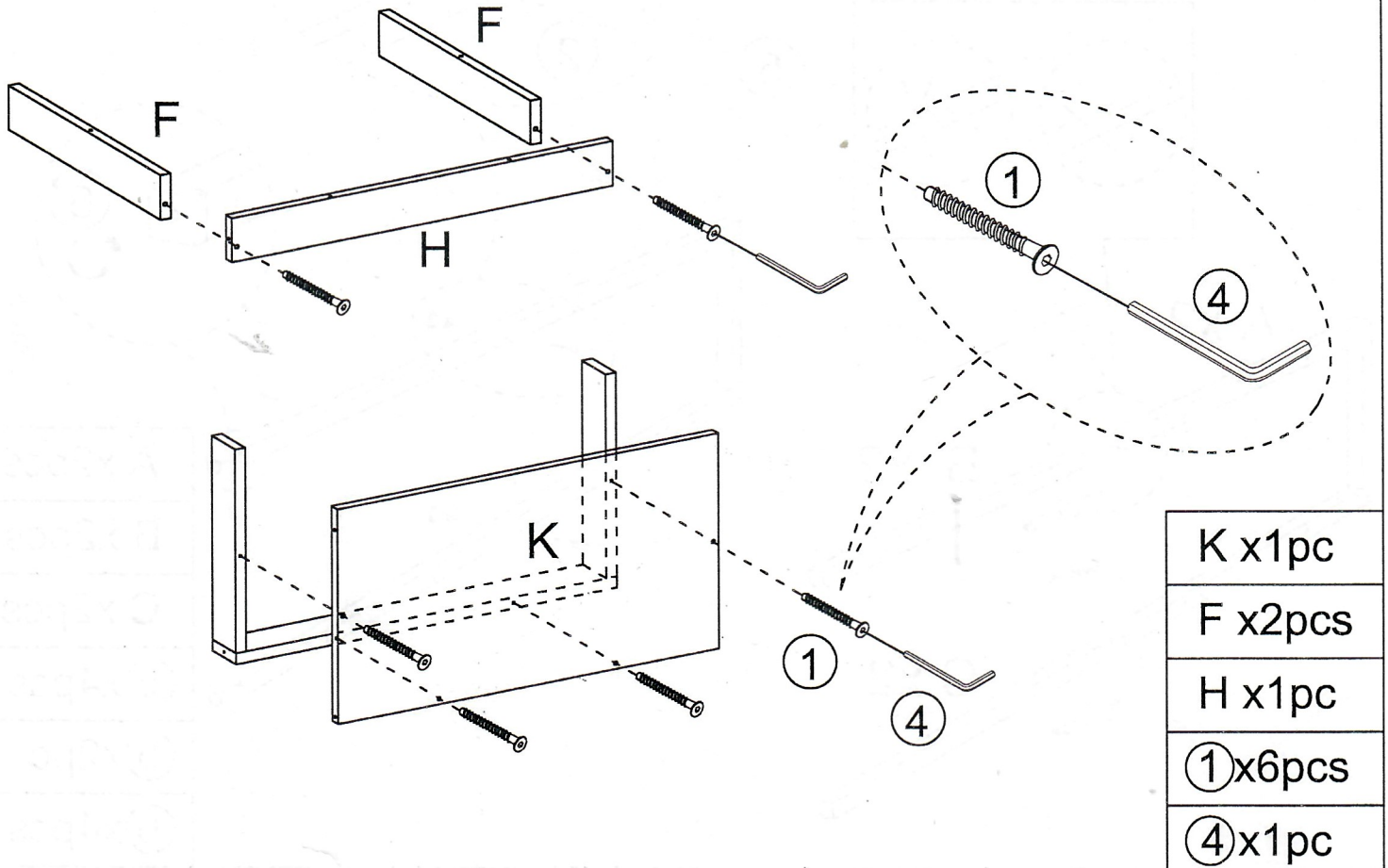
I x1pc
D x2pcs
H x1pc
①x6pcs
④x1pc

STEP 2



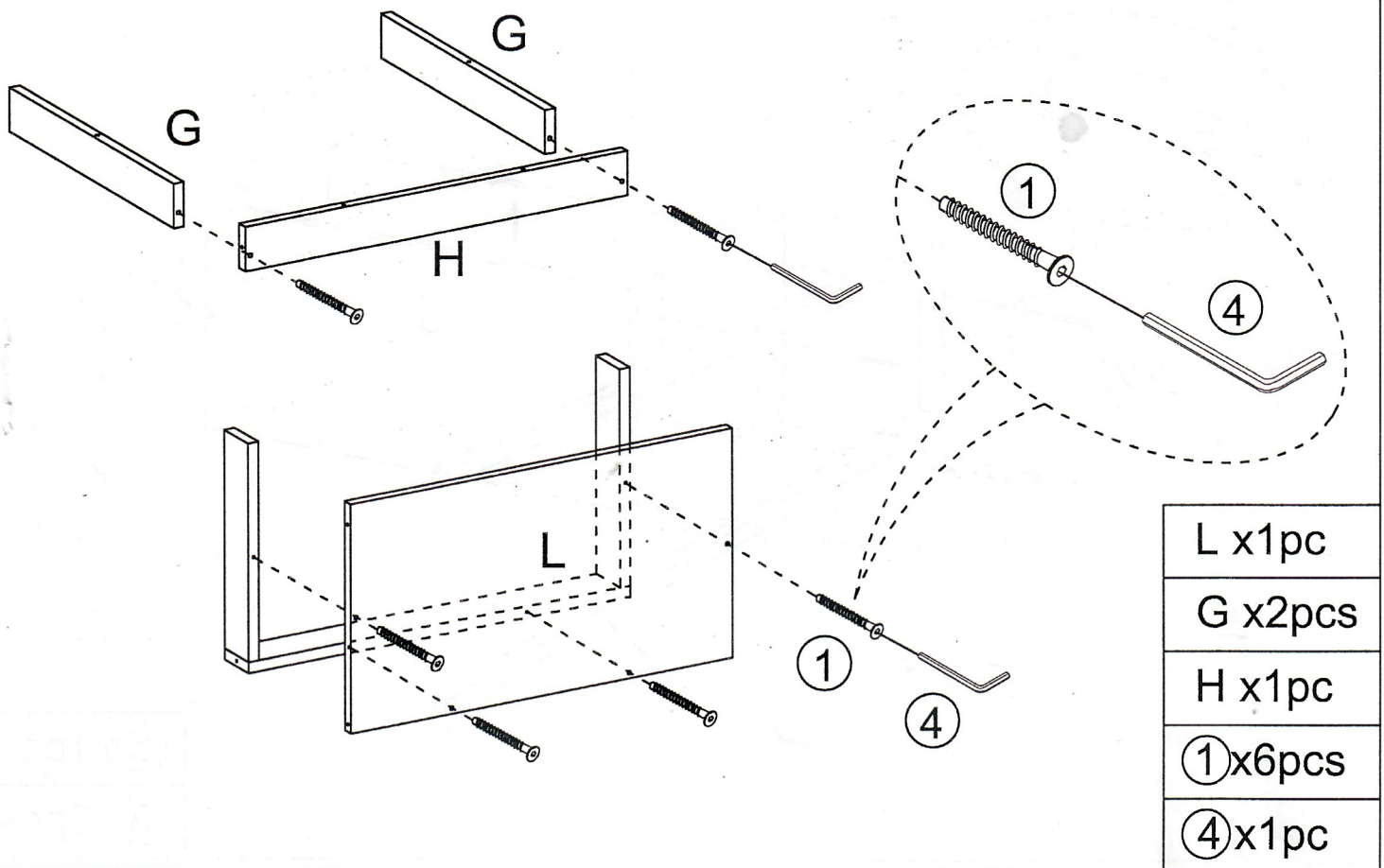
J x1pc
E x2pcs
H x1pc
①x6pcs
④x1pc

STEP 3



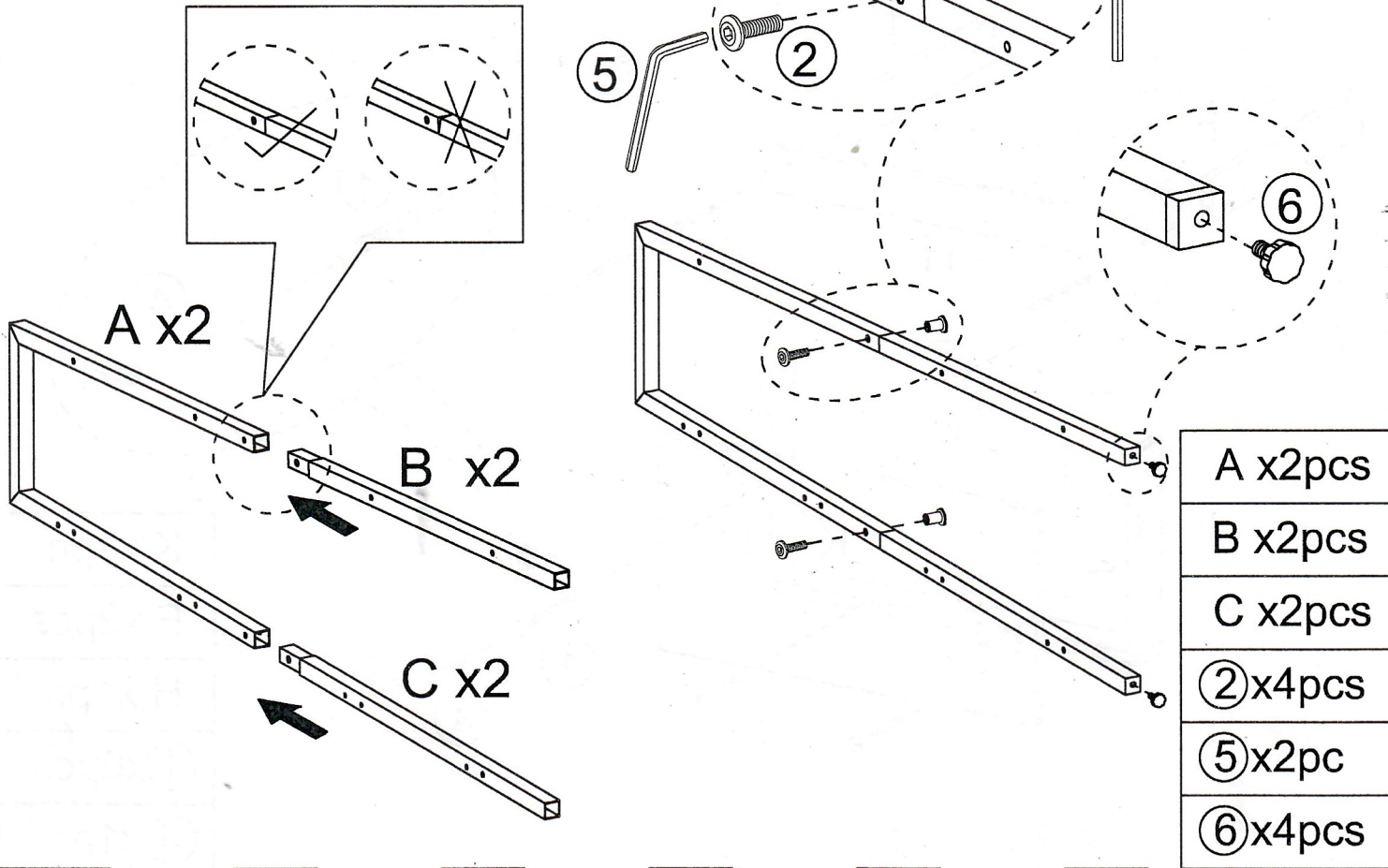
K x1pc
F x2pcs
H x1pc
①x6pcs
④x1pc

STEP 4

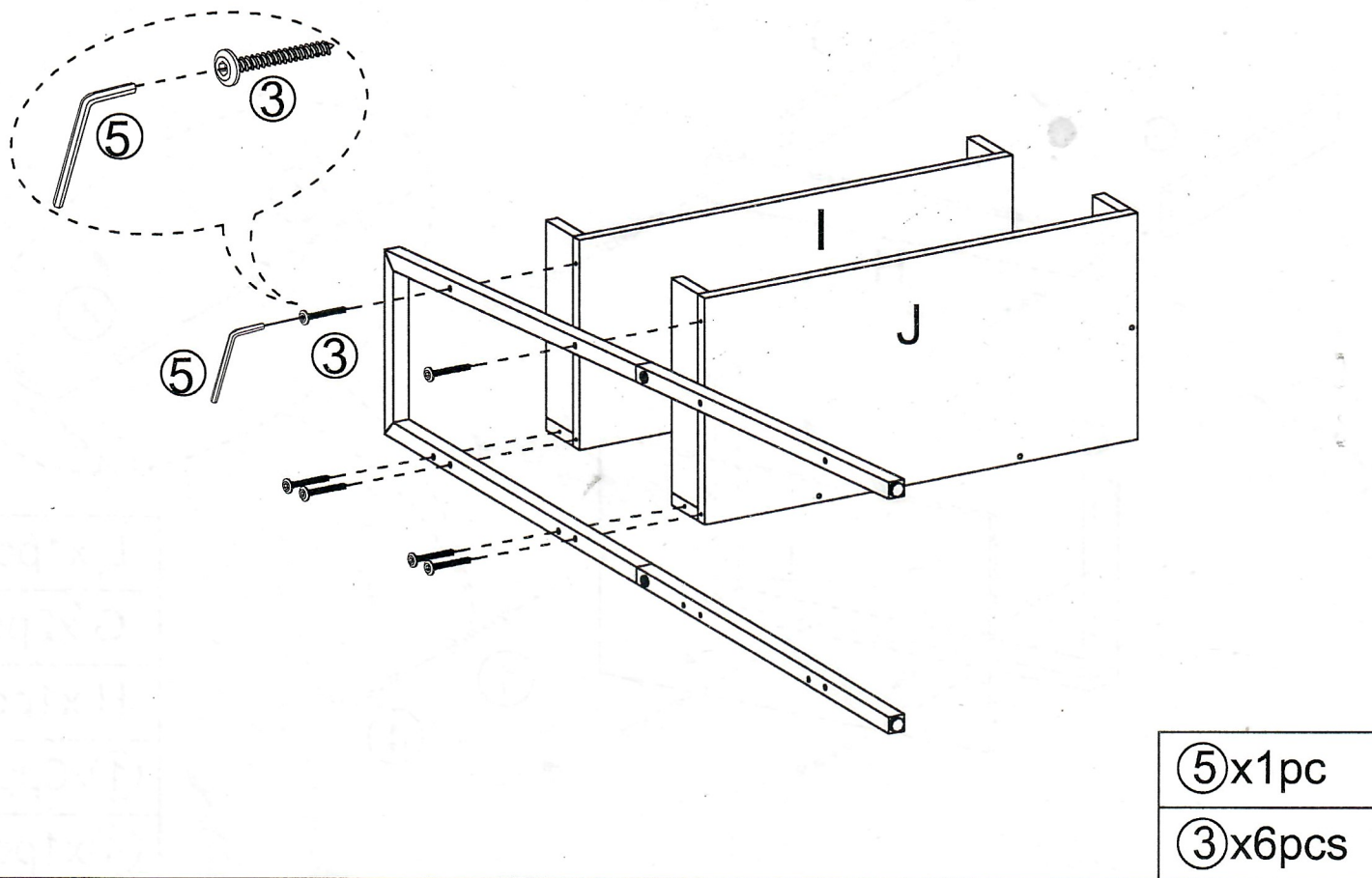


L x1pc
G x2pcs
H x1pc
①x6pcs
④x1pc

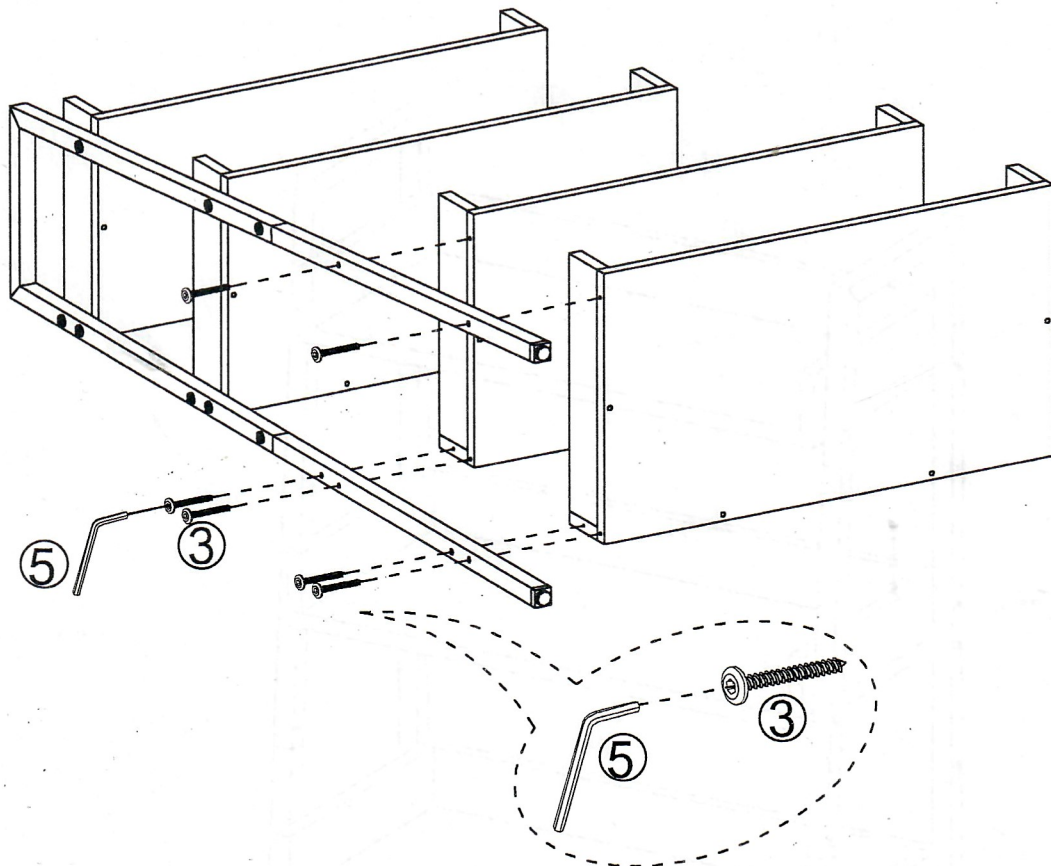
STEP 5



STEP 6



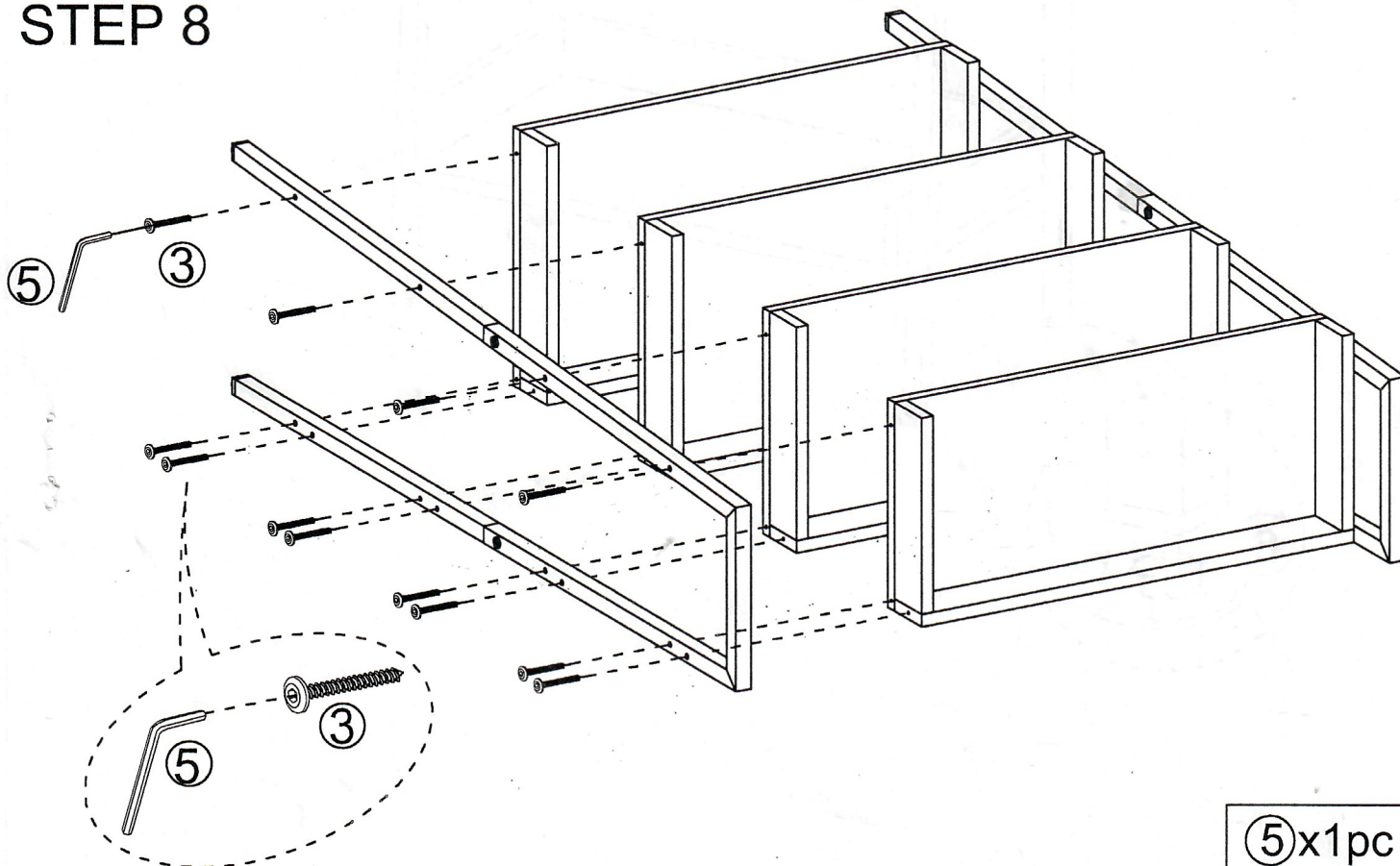
STEP 7



⑤x1pc

③x6pcs

STEP 8



⑤x1pc

③x12pcs

STEP 9

