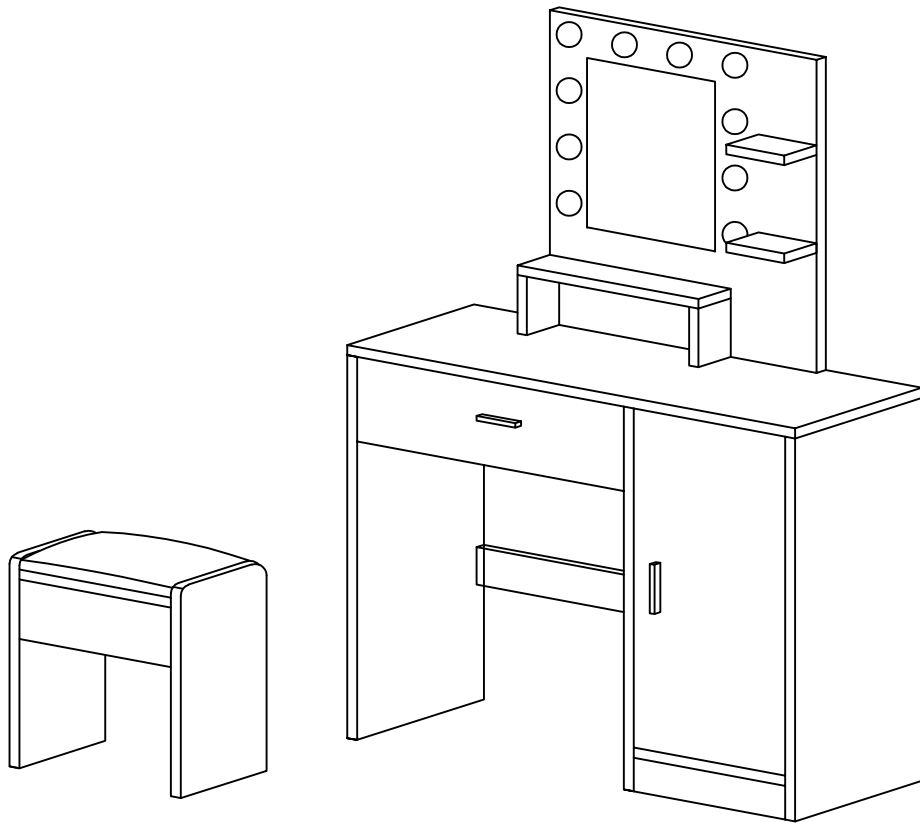








Instruction Manual








DEAR CUSTOMER,

Thank you for choosing our product. Please read this manual carefully before assembling. If the product is passed on to the third party, this manual has to be passed on along with the product. Enjoy your new purchase!

HARDWARE LIST



1  ×18pcs	2  ×18pcs	3  ×39pcs	4  ×n pcs	5  ×30pcs	6  ×2pcs
--	--	--	--	--	---

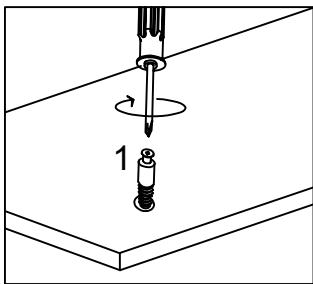
7  ×4pcs	8  ×2pcs	9  ×1pcs	10  ×10pcs	11  ×2pcs	
---	---	---	---	--	--

NOTE

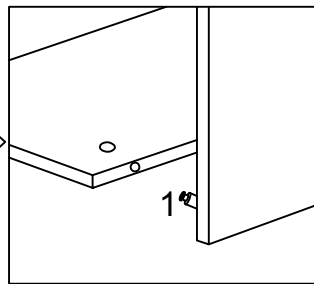
- Please check that you have all the parts and hardware listed before assembling.
- Please do not tighten all bolts until the table is assembled completely.
- If you find that something is missing, please contact the store you purchase immediately.
- At least every 4 months, check all bolts, screws and knobs to be sure they are tight.

Screws Installation Steps

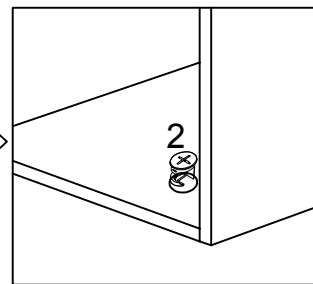
1  ×18pcs	2  ×18pcs
--	--



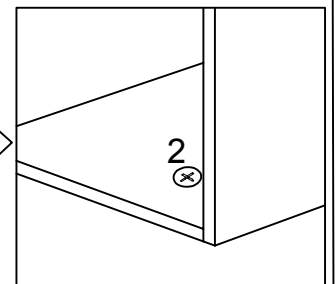
Screw the eccentric screw onto the board.



Find the corresponding board to insert.


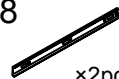


Insert eccentric bolt into round hole.



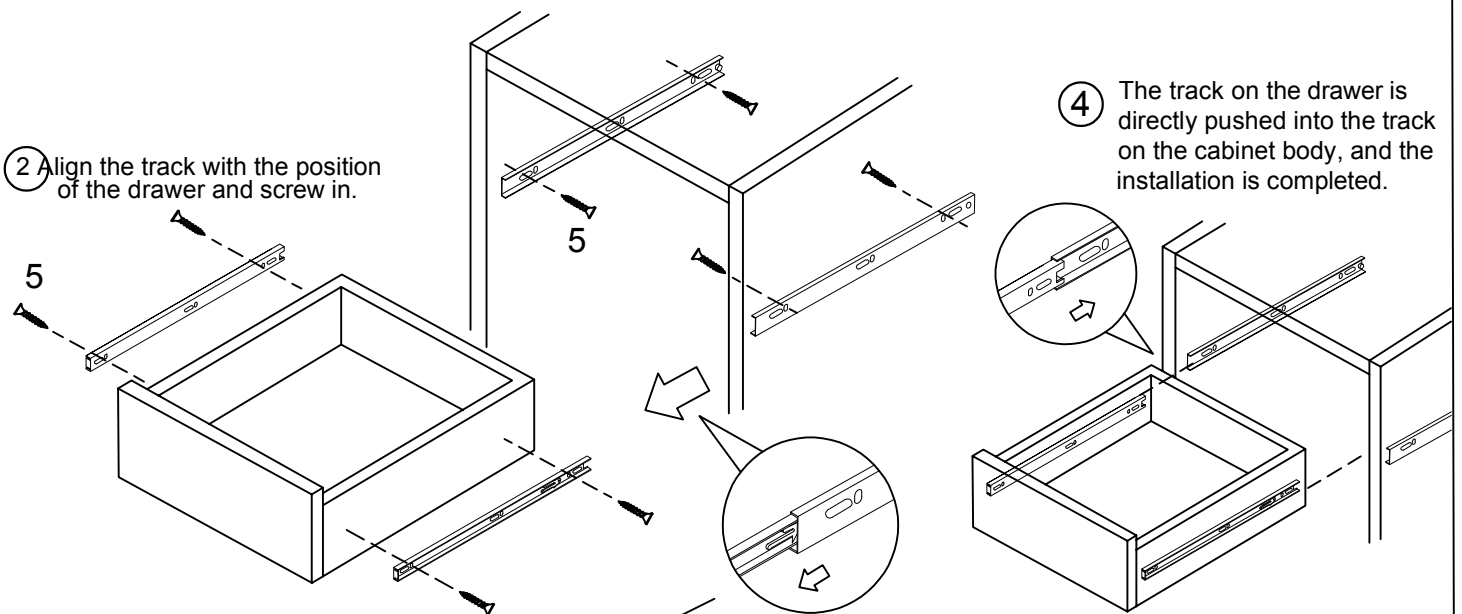
Turn clockwise about 180° to lock the board.

Guide rail installation drawing

5  ×30pcs	8  ×2pcs
--	---

③ Align the track with the position of the cabinet by screwing the screws.

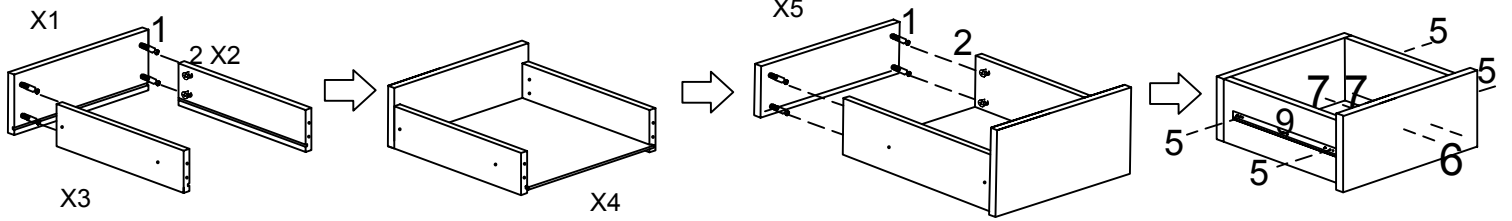
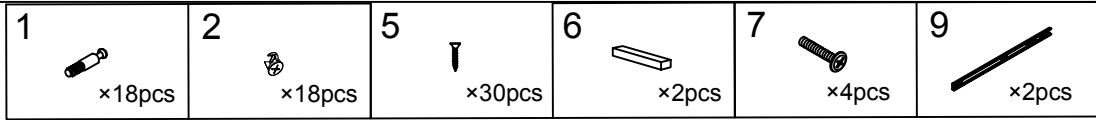
② Align the track with the position of the drawer and screw in.



④ The track on the drawer is directly pushed into the track on the cabinet body, and the installation is completed.

① Press the buckle to remove the inner track that holds the drawer.

Step:1 (Installing drawer)



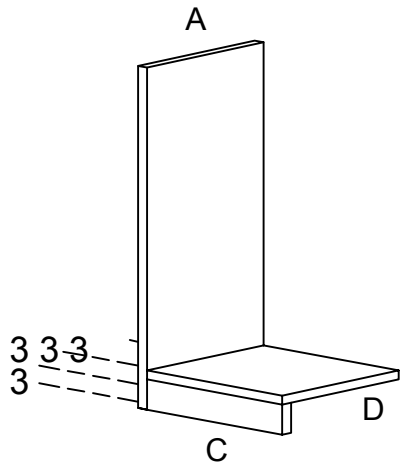
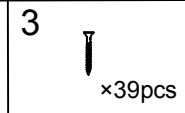
Connect left and right side panels to drawer panels.

Install drawer bottom plates.

Install drawer back plates.

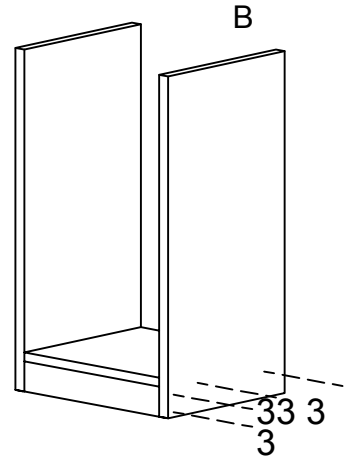
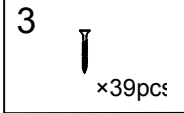
Install drawer pull.

Step:2



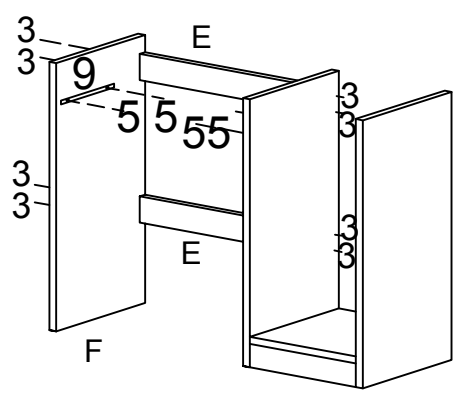
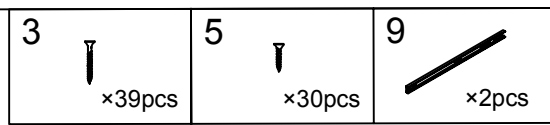
Install panel through fitting 3.

Step:3



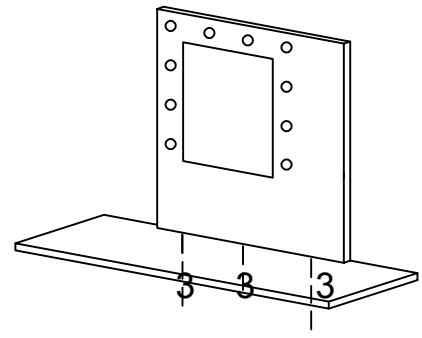
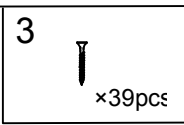
Install panel through fitting 3.

Step:4






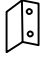
Install panel through fitting 3.

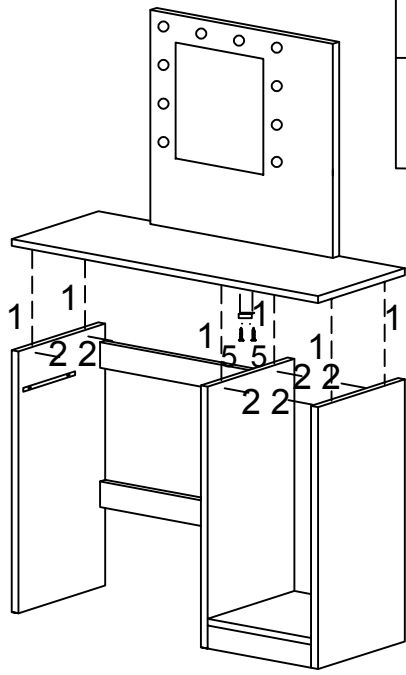
H







Install panel through fitting 3.

Step:6

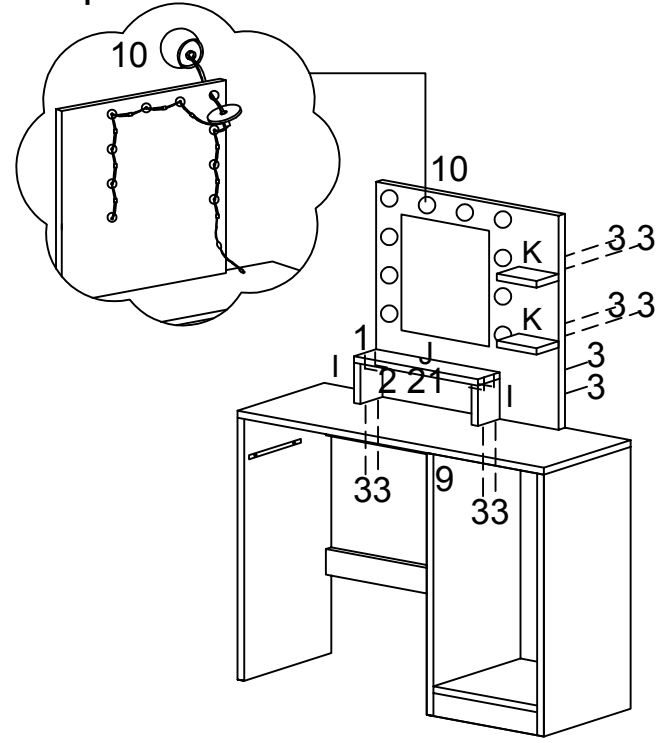
- 1  ×18pcs
- 2  ×18pcs
- 5  ×30pcs
- 9  ×1pcs








Install panel through fitting 1 and 2.

- 1  ×18pcs
- 2  ×18pcs
- 3  ×39pcs
- 10  ×10pcs

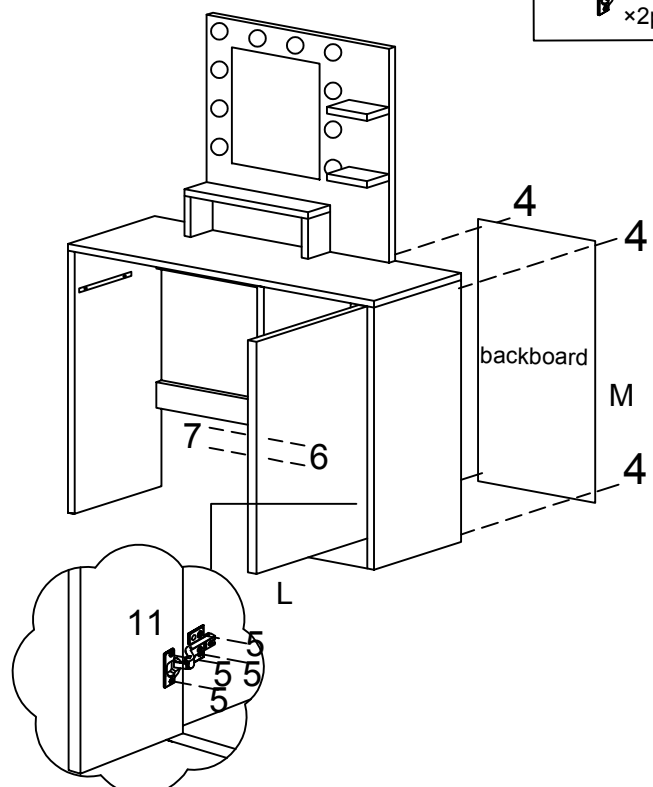
Step:7



Install panel through fitting 1,2 and 3.


- 4  ×n pcs
- 5  ×30pcs
- 6  ×2pcs
- 7  ×4pcs
- 11  ×2pcs

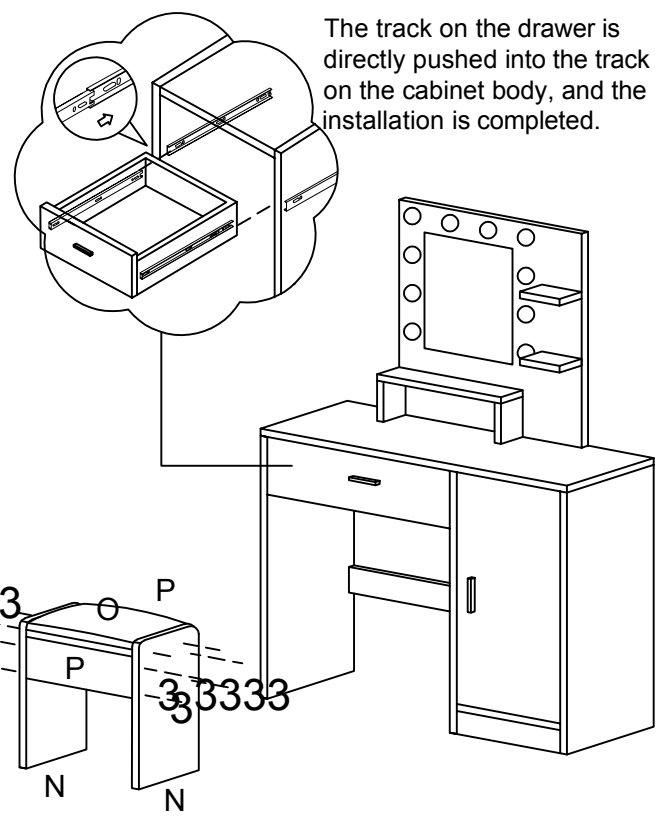
Step:8



Install panel through fitting 11 and 4.

Step:9 Installation Complete !

- 3  ×39pcs



The track on the drawer is directly pushed into the track on the cabinet body, and the installation is completed.

Install panel through fitting 3.